

## Type 1000 Commercial Gauges



Shown with Optional Rubber Boot

### FEATURES

- Case material is black painted steel
- Plastic window to eliminate glass breakage
- Now available through 6000 psi
- Dial faces match other Ashcroft commercial gauges for easy readability
- Patented PowerFlex™ movement with polyester segment
- True Zero™ indication, a unique safety feature

Ashcroft 4½" Type 1000 gauges utilize a black steel case and ring, with a plastic window. These gauges are appropriate for general industrial applications and can be customized to complement your equipment.

Incorporated in Type 1000 gauges is the PowerFlex™ movement. This movement provides superior resistance to shock, vibration, and pulsation; thereby assuring longer life for your pressure instrument.

True Zero™ indication, a standard feature on these gauges, reduces the potential risk of installing a damaged gauge on your equipment. Other benefits of this unique safety feature include reduced manufacturing and inspection costs.

### COMMONLY USED ON

*Applications requiring large dial sizes for easy readability, general industrial applications*

### PRODUCT SPECIFICATIONS

<b>Ashcroft® Model No.:</b>	1000
<b>Size:</b>	4½"
<b>Case:</b>	Black painted steel
<b>Ring:</b>	Black painted steel, friction fit
<b>Window:</b>	Plastic
<b>Dial:</b>	Black figures on white background, aluminum
<b>Pointer:</b>	Black, aluminum
<b>Bourdon Tube:</b>	"C"- shaped bronze (Vac-600 psi) Helical bronze (1000 psi-6000 psi)
<b>Movement:</b>	PowerFlex™ with polyester segment
<b>Socket:</b>	Brass
<b>Connection:</b>	¼ NPT lower
<b>Ranges:</b>	Vacuum – 6000 psi and compound
<b>Accuracy:</b>	ASME B40.100, Grade B, ±3-2-3%
<b>Operating Temperature:</b>	-40°F to 150°F, -40°C to 65°C

### OPTIONAL FEATURES

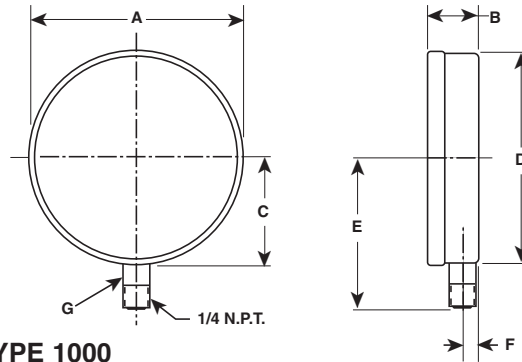
<b>Case:</b>	Case color (other than black)
<b>Window:</b>	Glass
<b>Pointer:</b>	Adjustable
<b>Socket:</b>	Nickel plated Throttle plugs – 0.007," 0.013," 0.020," 0.063" orifices
<b>Others:</b>	Customized dials Chrome ring (Type 1000) Non-standard ranges Special calibration on application Black Rubber Gauge Boot

### HOW TO ORDER (Typical example)

	45	W	1000	H	02L	XAP	100#
<b>Dial Size:</b> 4½"	_____	_____	_____	_____	_____	_____	_____
<b>Movement:</b> Patented PowerFlex™	_____	_____	_____	_____	_____	_____	_____
<b>Case Type Number:</b> 1000	_____	_____	_____	_____	_____	_____	_____
<b>Connection Material:</b> Brass	_____	_____	_____	_____	_____	_____	_____
<b>Connection Size/Location:</b> ¼ NPT Lower	_____	_____	_____	_____	_____	_____	_____
<b>Option:</b> Adjustable Pointer	_____	_____	_____	_____	_____	_____	_____
<b>Range:</b> 100 psi	_____	_____	_____	_____	_____	_____	_____

## Type 1000 Commercial Gauges

### DIMENSIONS



### TYPE 1000

T-1000 4 1/2"	A	B	C	D	E	F	Wrench Flats G	Weight oz / kg
Inches	4.75	1.13	2.34	4.69	3.38	0.34	1/16	10.16 oz
mm	(121)	(29)	(60)	(119)	(86)	(9)	(14)	0.288 kg